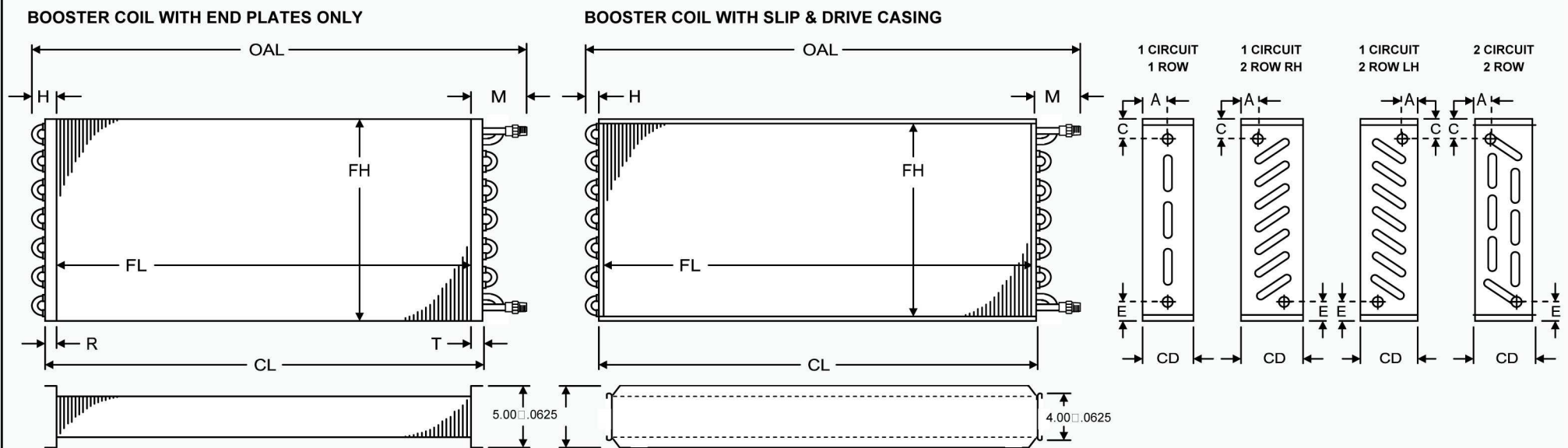
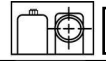


Technician:	Date:	Revision Description	Rev. Date	REV
-------------	-------	----------------------	-----------	-----



Design Specifications											Material		
#	Tag #	Qty	Type	FH	FL	Tube Size	Rows	FPI	Casing	Hand	Connections	Supply	Return
1											Manifolds		
Technician Initials:											Fins		
											Tube Wall		

Dimensional Data													Vents												
#	Connection Locations						CH	CL	CD	OAL	L	M	H	Flanges				Cap	1/8"						
	A	B	C	D	E	F								R	S1	S2	T								
1																									
Tech.																									

Company:	Work Order #:	Date:	Circuits:
Dwg #:	Model #:	OEM:	Notes:
Dwg By:	Approved By:	PO #:	
Project:	Contact:	Rev:	